

UV INKJET PRINTER

JFX500-2131

UV FAN Filter 交換手順書

Procedure Manual to replace UV FAN Filter

Before Use

Before Use

- Refer to the JFX500-2131's Operation Manual for information about precautions and safety.
- Be sure to read and understand "Warning for Use" and "Precaution for Use" in this manual before using the device.
- Read the main unit Operation Manual for details about the operating method.

Requests

- This Operation manual has been carefully prepared for your easy understanding.
- Descriptions contained in this Operation manual are subject to change without notice for improvement.

Safety Precautions

Precaution for Use



- Make sure to always wear protective gloves and goggles during the operations.
Ink or dirt of filter may come in contact with your skin by scattering ink or dirt of filter.

UV FAN Filter replacement estimated time

UV FAN Filter will be getting dirt.

Replace the filter periodically when it is dirt.

Depending on the environments and printing conditions, the filter condition is different.

1 Check the filter condition when cleaning every day.

- Replace the filter periodically when it is dirt.

2 When the following error is shown, replace the filter.

- If the printer is working, replace the filter after the job is completed.
- Even though the following error is shown, the machine is not stop immediately.

ERROR 706
UV LAMP TEMP HIGH

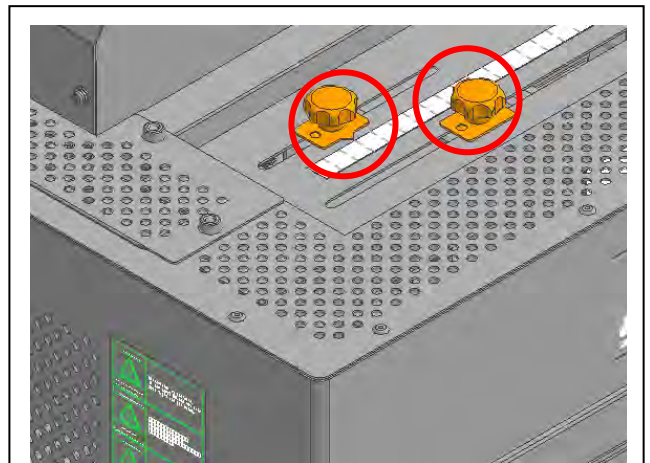
Important!

We recommended the genuine products for the replacement filter for UV FAN.

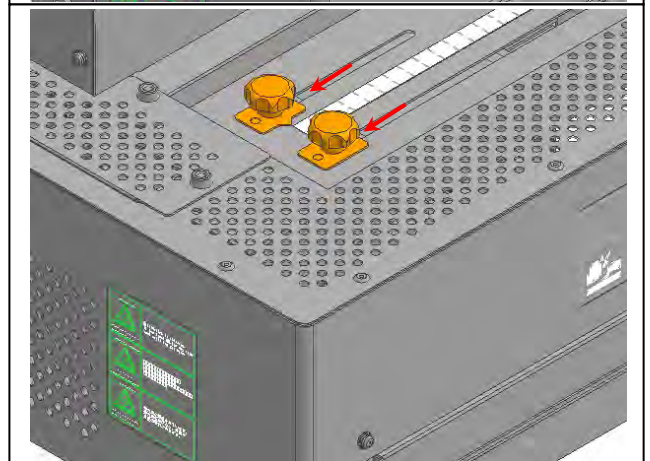
It may not to obtain the filtering effect sufficiently if you do not use the genuine products.

Preparations

1 • Record the UV unit position before the operation.



2 • Move the UV Unit to the front.



3 • Please follow the next page to replace the filter.

4 • Reposition the UV Unit in place.

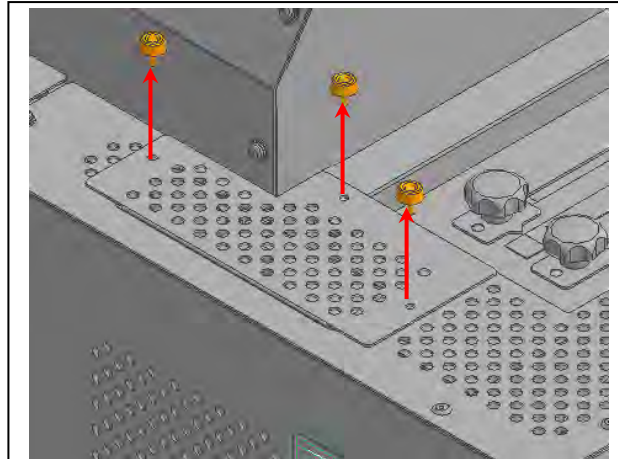
Required tools	Filter for replacement or UV FAN replacement Filter KIT (SPA-0256)	• Protective goggles
		• Protective gloves

How to remove the filter Assy

This procedure is shown for only right side unit. Please operate it as well as left side.

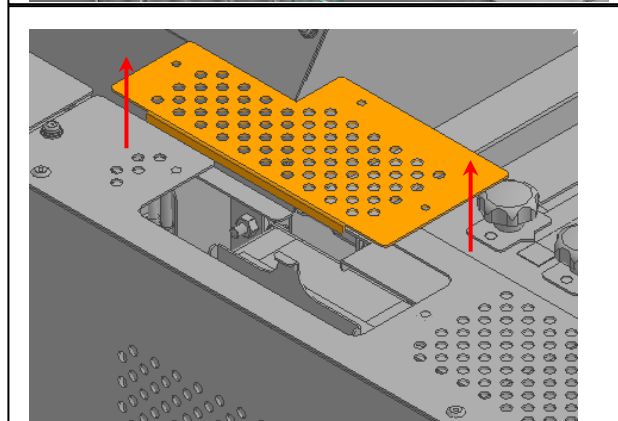
1

Unscrew the screws which are fixed the filter cover.



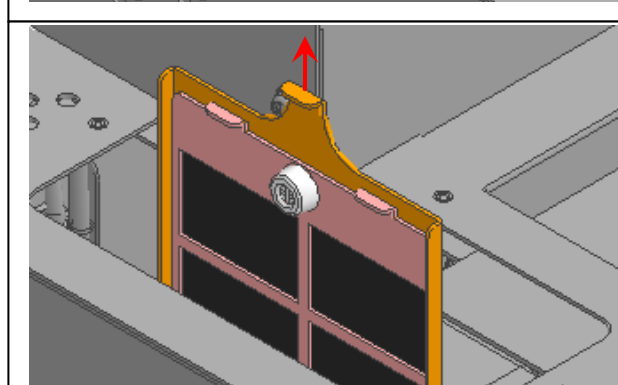
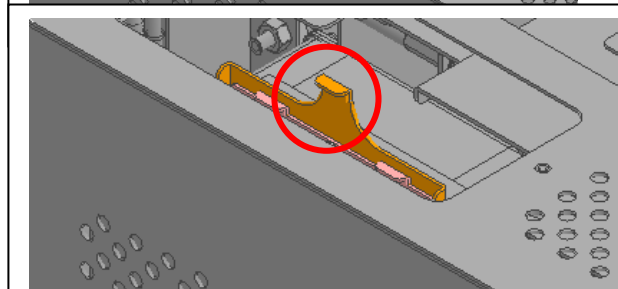
2

Remove the filter cover.



3

Pull up the projection of filter Assy.

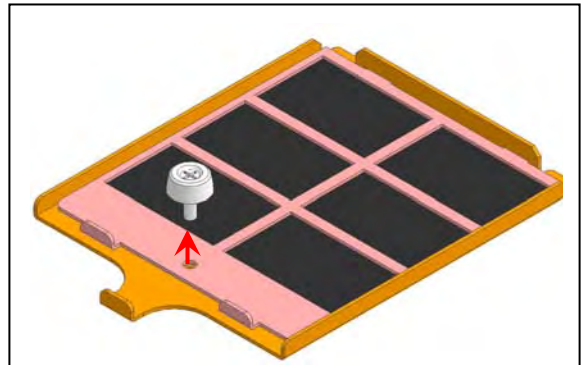


How to replace the filter

Please follow the procedure to replace the filter.

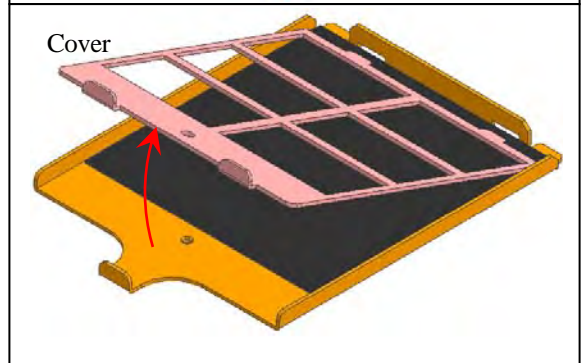
1

•Unscrew the pinch screw.



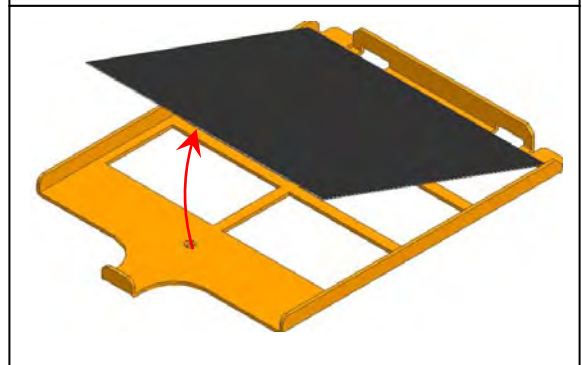
2

•Remove the cover.



3

•Remove the dirty filter.

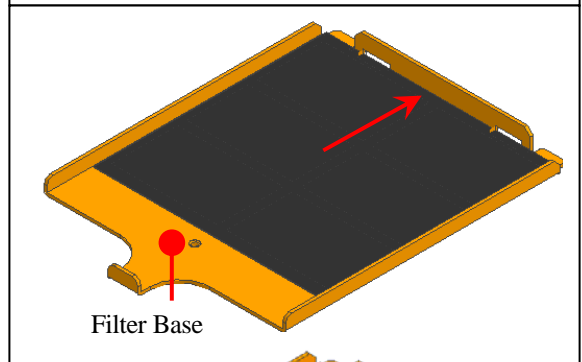


4

•Set the new filter on the base.

Important!

Make sure that the filter butt to the end of filter base that is like the red arrow in the right drawing.

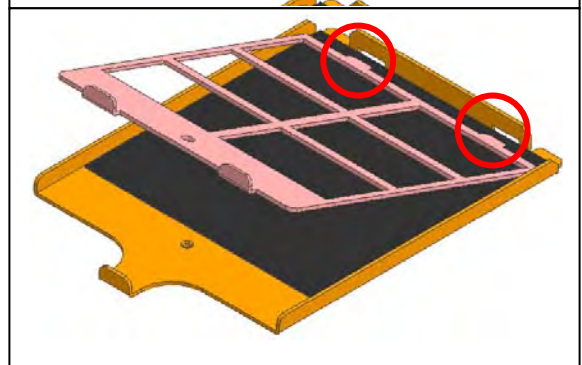


5

• Attach the cover .

Important!

Make sure to insert the projections to the notch hole of the filter base.



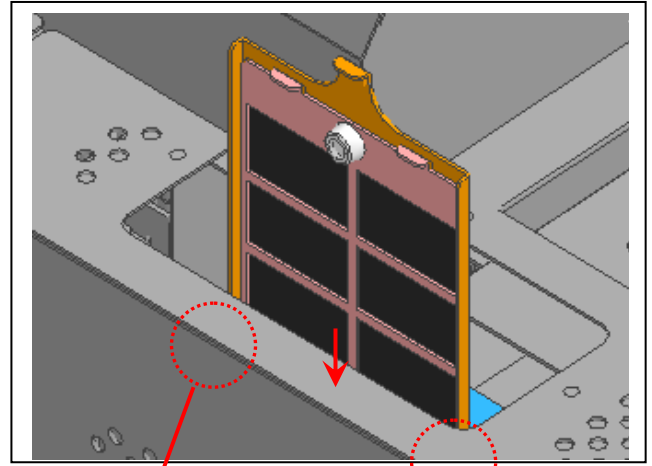
6

•Fix the cover using pinch screw.

How to attach the filter Assy

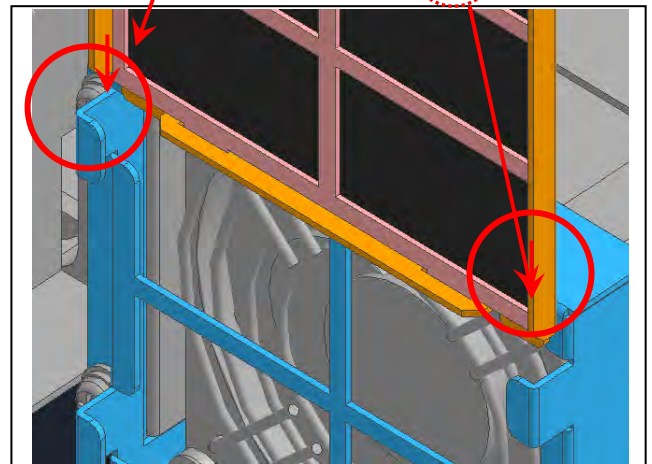
1

• Insert the filter Assy from the open part of outer cover.



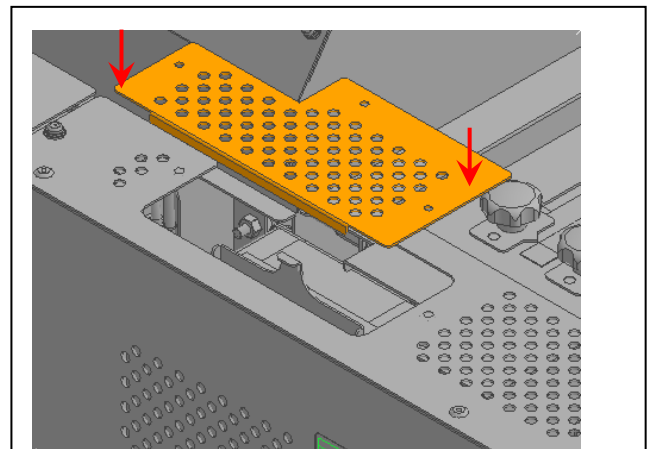
Important!

Insert the filter Assy to the projection of receiver.
Make sure to insert it to the bottom softly and firmly.



2

• Attach the filter cover.



3

• Fix the filter cover using pinch screw.

