

3.2m ロールシャフトユニット
3.2m Roll shaft unit

OPT-J0410

取扱説明書
OPERATION MANUAL

OPERATION MANUAL

Table of Contents

For English	For Japanese
Foreword.....2	はじめに 6
DISCLAIMER OF WARRANTY.....2	ご注意..... 6
On This Operation manual.....2	取扱説明書について 6
Requests2	おねがい 6
About installing this machine.....3	本機の設置について 7
Where to Install This Machine3	設置場所について..... 7
Names of Parts and Functions.....3	各部の名称とはたらきについて 7
Rear Side and Right Side of the Machine.....3	装置背面 / 側面 7
Setting a Media4	メディアをセットする..... 8
Adjusting the Head Height.....4	ヘッド高さを調整する 8
Setting a roll media.....4	ロールメディアをセットする..... 8
Setting leaf media.....5	リーフメディアをセットする..... 9

Foreword

Congratulations on your purchase of “3.2m Roll shaft unit” for MIMAKI color ink jet printer SIJ series.

DISCLAIMER OF WARRANTY

THIS LIMITED WARRANTY OF MIMAKI SHALL BE THE SOLE AND EXCLUSIVE WARRANTY AND IS IN LIEU OF ALL OTHER WARRANTIES, EXPRESS OR IMPLIED, INCLUDING, BUT NOT LIMITED TO, ANY IMPLIED WARRANTY OF MERCHANTABILITY OR FITNESS, AND MIMAKI NEITHER ASSUMES NOR AUTHORIZES DEALER TO ASSUME FOR IT ANY OTHER OBLIGATION OR LIABILITY OR MAKE ANY OTHER WARRANTY OR MAKE ANY OTHER WARRANTY IN CONNECTION WITH ANY PRODUCT WITHOUT MIMAKI'S PRIOR WRITTEN CONSENT. IN NO EVENT SHALL MIMAKI BE LIABLE FOR SPECIAL, INCIDENTAL OR CONSEQUENTIAL DAMAGES OR FOR LOSS OF PROFITS OF DEALER OR CUSTOMERS OF ANY PRODUCT.

On This Operation manual

- This Operation manual is describing the operations and maintenance of “3.2m Roll shaft unit” (called as this machine hereafter)
- Read this Operation manual carefully and understand them thoroughly to use.
- It is also necessary to keep this Operation manual on hand.
- This Operation manual has been carefully prepared for your easy understanding, however, please do not hesitate to contact a distributor in your district or our office if you have any inquiry.
- Descriptions contained in this Operation manual are subject to change without any notice for improvement.
- You can also download the latest manual from our website.

Requests

- This Operation manual has been carefully prepared for your easy understanding. However, please do not hesitate to contact a distributor in your district or our office if you have any inquiry.
- Description contained in this Operation manual are subject to change without notice for improvement.

Reproduction of this manual is strictly prohibited.
All Rights Reserved. Copyright
© 2016 MIMAKI ENGINEERING Co., Ltd.

About installing this machine

Where to Install This Machine

This optional kit is used with the Mimaki SIJ Series/UJV55-320 Inkjet Printer to ensure stable feeding of media on the feeding side, where it is easy for the media to come loose.

The space required to install this optional kit on a Mimaki printer is shown in the following table.

When installing this optional kit, give careful consideration to the total size of the printer as well as the space required to perform a print job.

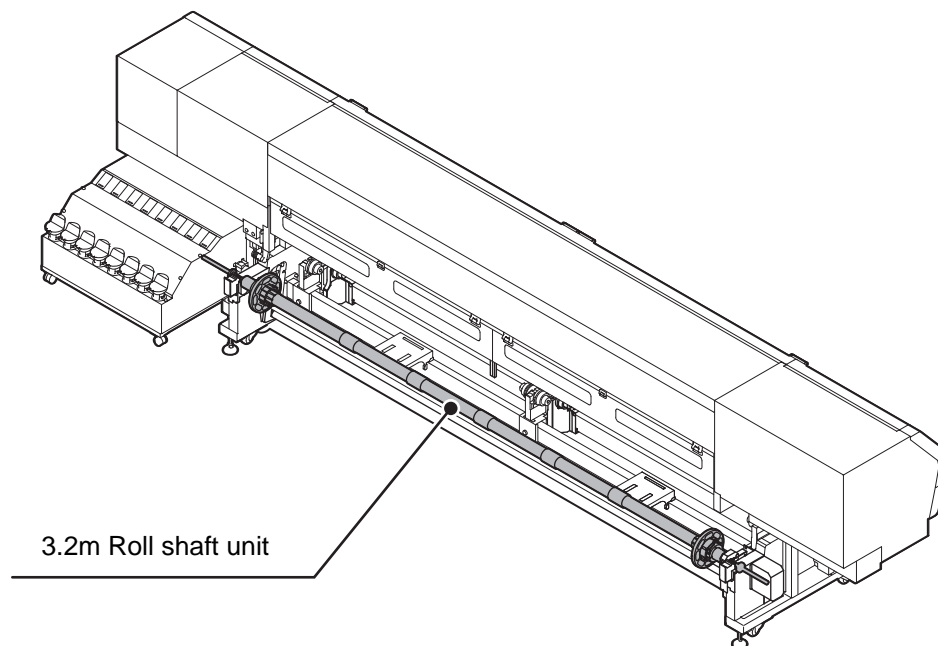
Width	Depth
The width of the printer	The depth of the printer + 70mm (Rear side)

Names of Parts and Functions



- The 3.2m Roll shaft unit is shown in the figure below installed on a Mimaki UV Inkjet Printer "SIJ-320UV".

Rear Side and Right Side of the Machine



Setting a Media

The method for setting media when using the 3.2m Roll shaft unit is explained below.



- In general, this section describes the changes that should be made in the media setting procedure when using the 3.2m Roll shaft unit.
- For more information about the basic media setting procedure, refer to the operation manual that came with your printer.

Adjusting the Head Height

If you use a tarpaulin (Banner), adjust the head height as follows;

Lever position	Banner Standard
Distance between platen and head	1.9mm



- Please raise the lever when the media is prone to gather dust in the head or is often stained with ink traces.

Setting a roll media

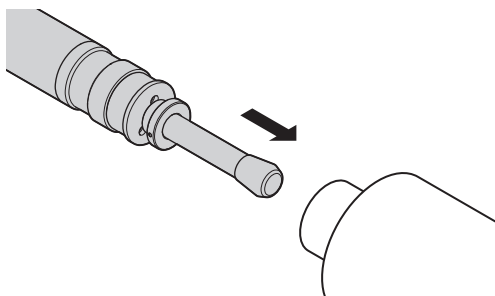


- When setting roll media, use the "Media set shaft" and the "Roll holder".

Loading the media on the media set shaft

1

Insert the "Media set shaft", which is included in the 3.2m Roll shaft unit box, into the roll media.



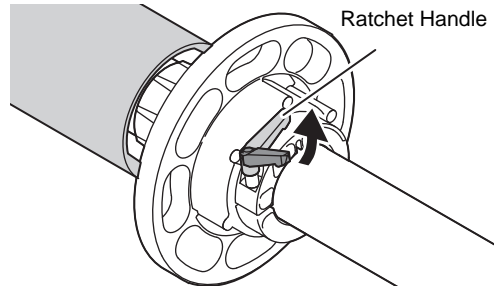
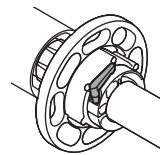
2

Set the roll holder for right and left.

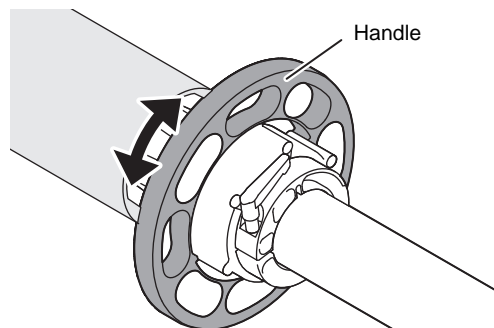
(1) Insert the roll holder (right and left) in a paper core and tighten with the ratchet handle.



- After tightening the screw, turn the ratchet handle in toward the roll holder. If the ratchet handle is left sticking out, it could interfere with the operation of the unit.

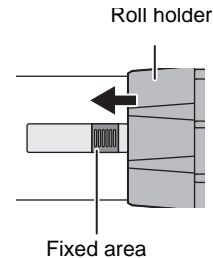


(2) Turn the handle of the take-up roll holder to tightly secure the paper core.



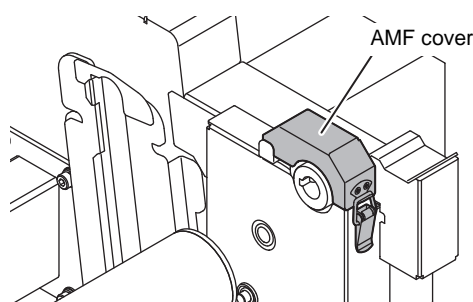
Fixed area of the roll holder

- Install the unit so that the roll holder is fixed within the "green area" of the sticker on the roll shaft.

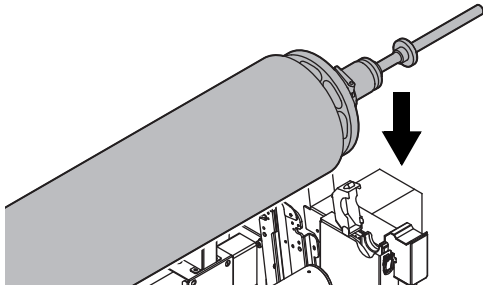


3

Open the AMF cover.



- 4** Install the media set shaft (with the roll media) on the feeding device, and then close the AMF cover.



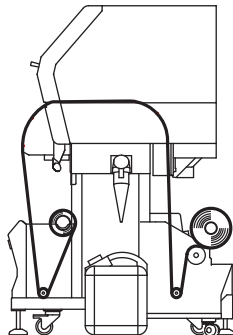
- 5** Regarding the procedure for feeding the media to the front of the unit, refer to the operation manual that came with your printer.

Fixing the media to the media take-up device

- Important!** • Before fixing the media, be sure to confirm which side of the media is the printing surface (inner side/outer side). The printing side will determine whether the media should be fixed with an inward winding or an outward winding.

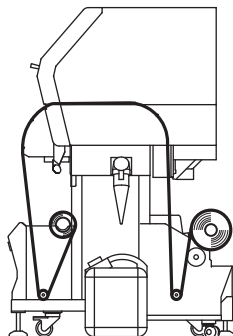
● **When the printing surface is the inner side**

Fix the media so that the printing surface is on the inside.



● **When the printing surface is on the outer side**

Fix the media so that the printing surface is on the outside.



Setting leaf media



- When using leaf media, no particular operations are required if the 3.2 Roll shaft unit is installed. For information on how to set leaf media, refer to the operation manual that came with your printer.